



Design, Manufacturing,
Repair & Maintenance of:
HYDRAULIC CYLINDERS
ACCUMULATORS
ROTARY ACTUATORS
ROTARY DISTRIBUTORS



HYSTAT SYSTEMS LTD

Spa Fields Industrial Estate,
New Street, Slaithwaite,
Huddersfield HD75BB
United Kingdom

+44 (0)1484 845740 | sales@hystat.co.uk

www.hystat.co.uk

Bladder
Accumulators
SPECIFICATION GUIDE



STANDARD BLADDER ACCUMULATOR SPECIFICATIONS

Capacity:	10 to 54 Litre
Shell Material:	Chrome Molybdenum Steel
Fluid Port Materials:	17/4-PH, Carbon Steel, Duplex, 316. Others available upon request.
Bladder Materials:	NBR, VITON, BUTYL, EPDM
Standard Gas Connection:	1/4" BSP (Male Gas Valve). NPT or others available upon request.
Standard Fluid Connection Options:	1/4", 1/2", 3/4", 1" NPT. BSP, or others available upon request.
Design Code:	EN14359:2017
Approval:	PED 2014/68/EU (CE) & PER 2016 (UKCA)
Design Temperature:	-40 to +80°C (Metallic)
Weights & Dimensions:	See Table (Approximate)
Material Certification:	BSEN10204-3.1 for pressure retaining components.
Cleanliness:	ISO4406:1999 Class 17/15/12 (NAS 6) Available to NAS 1638 or SAE AS4059 upon request.
Mediums:	Mineral Oil/ Water Glycol + Nitrogen
Documents:	Certificate of Conformity, Declaration of Conformity to PED 2014/68/EU, Test Certificate
Standard External Coating:	Standard Primer. Additional specifications available upon request.

BLADDER ACCUMULATOR ACCESSORIES

- Permanent Charging Block
- Burst Disc Assembly
- Lifting Caps
- Safety Pattern Pressure Gauge
- 316 Stainless Steel Clamps
- 316 Stainless Steel Brackets
- Rubber Support Rings

CONTENTS

PAGE

1-2 Litre 420 Bar Range	04 - 05
4 Litre 420 Bar Range	06 - 07
10-54 Litre 420 Bar Range	08 - 09
10-54 Litre 690 Bar Range	10 - 11

NOTES

1-2 LITRE BLADDER ACCUMULATORS 420 BAR

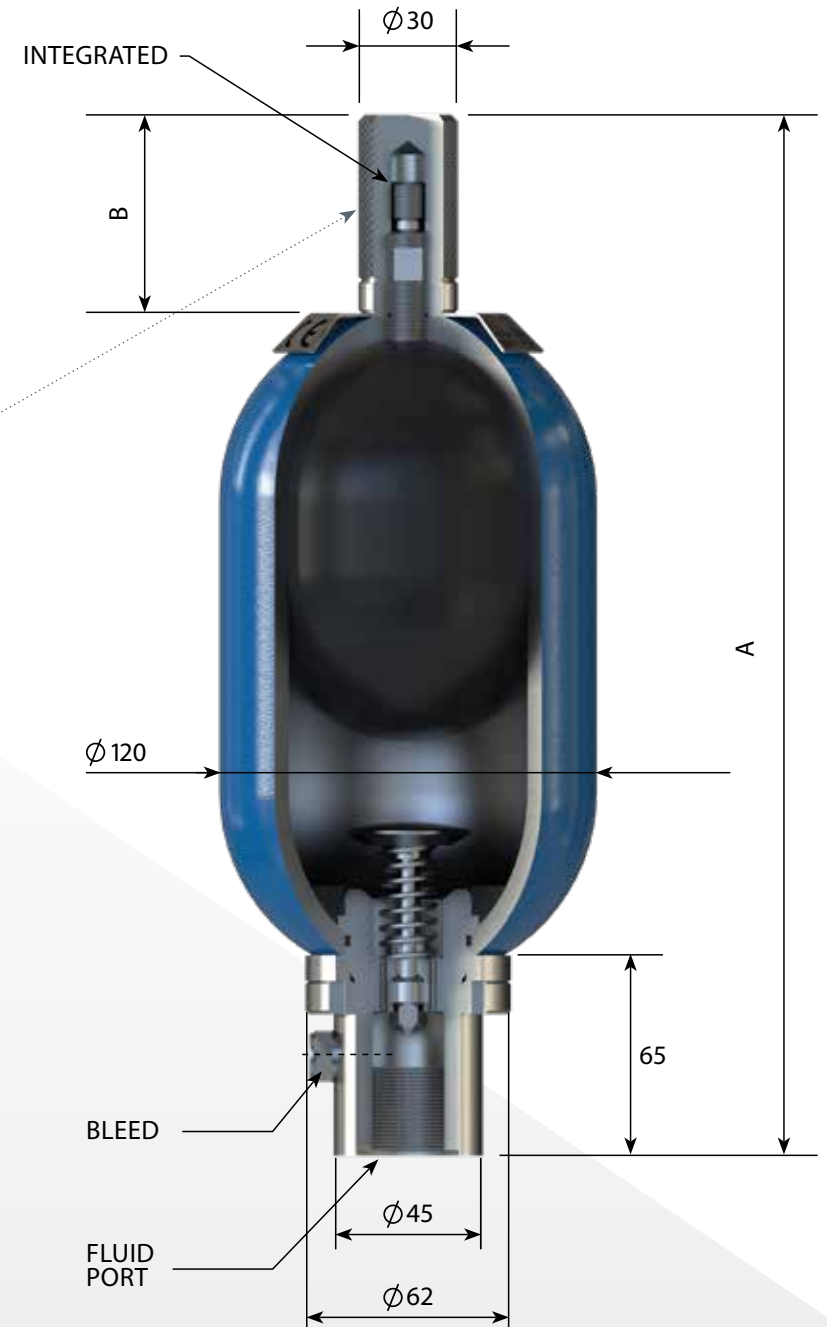
DESIGN PRESSURE: 420 BAR

WEIGHT: SEE TABLE

OPTIONS:

Non-standard connections available on request.

Non-standard bladder materials available on request.



Size (Litres)	A (mm)	B (mm)	Weight (kg)	Gas Connection	Fluid Connection
1 (GV)	330	63	6	1/4" BSPM Gas Valve	1" BSPP
2 (GV)	480	63	8	1/4" BSPM Gas Valve	1" BSPP
1	320	63	5	1/4" BSPM Integrated	1" BSPP
2	470	63	7	1/4" BSPM Integrated	1" BSPP

4 LITRE BLADDER ACCUMULATORS 420 BAR

DESIGN PRESSURE: 420 BAR

WEIGHT: SEE TABLE

OPTIONS:

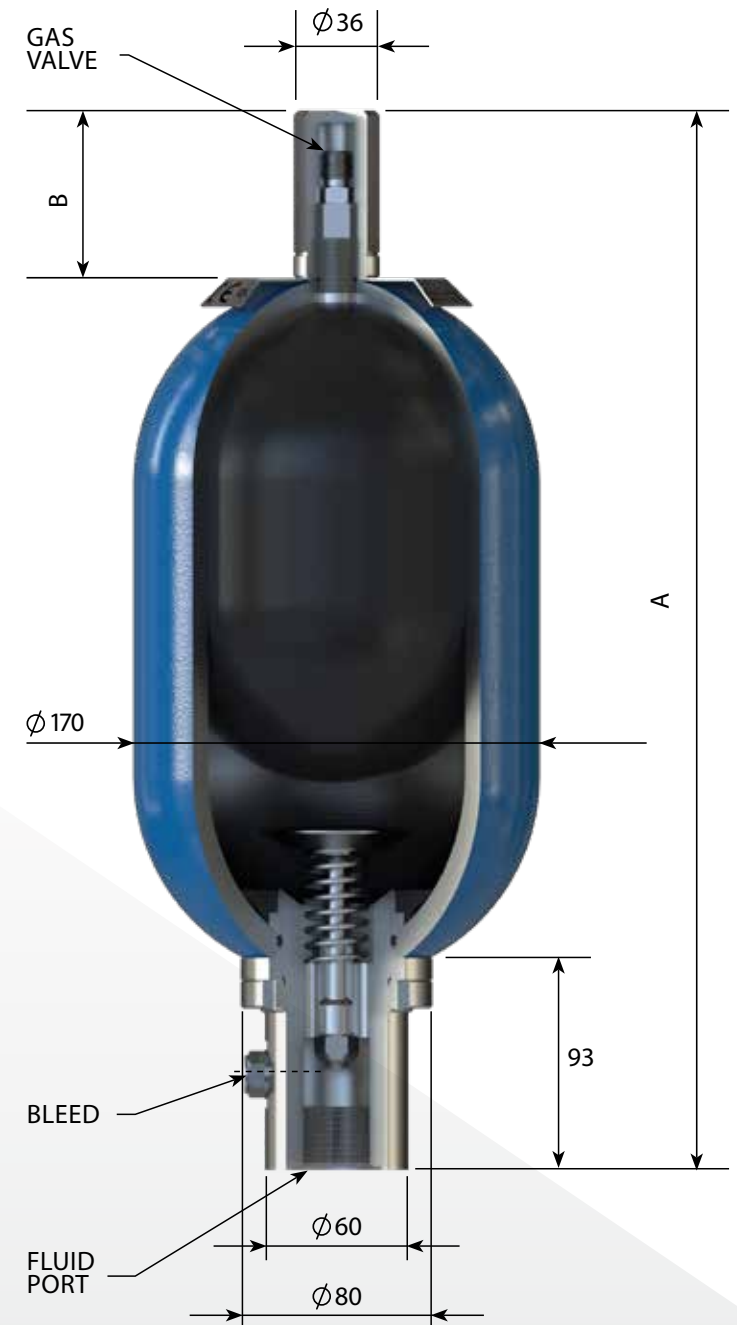
Non-standard connections available on request.

Non-standard bladder materials available on request.

Size (Litres)	A (mm)	B (mm)	Weight (kg)	Gas Connection	Fluid Connection
4	450	87	15	1/4" BSPM Gas Valve	1-1/4" BSPP

COLOUR OPTIONS:

Bespoke colours and paint specifications available upon request.



10-54 LITRE BLADDER ACCUMULATORS 420 BAR

DESIGN PRESSURE: 420 BAR

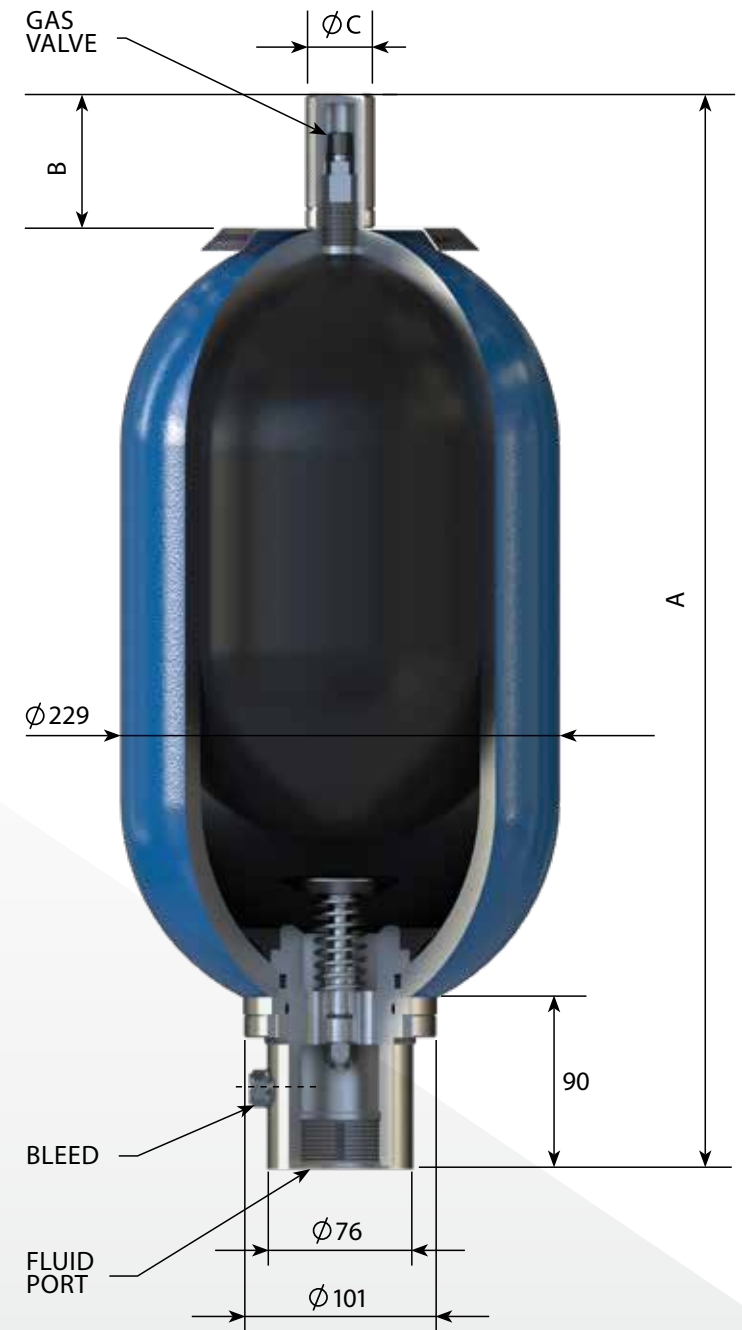
WEIGHT: SEE TABLE

OPTIONS:

Non-standard connections available on request.

Non-standard bladder materials available on request.

Size (Litres)	A (mm)	B (mm)	ØC (mm)	Weight (kg)	GAS CONNECTION	FLUID CONNECTION
10	560	70	36	33	1/4" BSPM GAS VALVE	2" BSPP
12	625	70	36	38	1/4" BSPM GAS VALVE	2" BSPP
20	870	70	36	56	1/4" BSPM GAS VALVE	2" BSPP
25	1140	70	36	74	1/4" BSPM GAS VALVE	2" BSPP
35	1390	70	36	90	1/4" BSPM GAS VALVE	2" BSPP
54 (50mm Stem)	1915	86	70	124	1/4" BSPM GAS VALVE	2" BSPP



10-54 LITRE BLADDER ACCUMULATORS 690 BAR

DESIGN PRESSURE: 690 BAR

WEIGHT: SEE TABLE

OPTIONS:

Non-standard connections available on request.

Non-standard bladder materials available on request.

Size (Litres)	A (mm)	B (mm)	Weight (kg)	GAS CONNECTION	FLUID CONNECTION
10	555	86	52	1/4" BSPM GAS VALVE	1/2" NPT
12	625	86	59	1/4" BSPM GAS VALVE	1/2" NPT
20	870	86	84	1/4" BSPM GAS VALVE	1/2" NPT
35	1390	86	138	1/4" BSPM GAS VALVE	1/2" NPT
54	1900	86	190	1/4" BSPM GAS VALVE	1/2" NPT

